

**SONY.**

Car Stereo  
**Service Bulletin**

**CSA-14**

Sony Service Company - Technical Services  
A Division of Sony Electronics Inc.  
Sony Drive, Park Ridge, New Jersey 07656

**Model:** MDX-U1

**No. 296**

**Subject:** No Operation

**Date:** August 31, 1993

**Symptom:**  
(11)

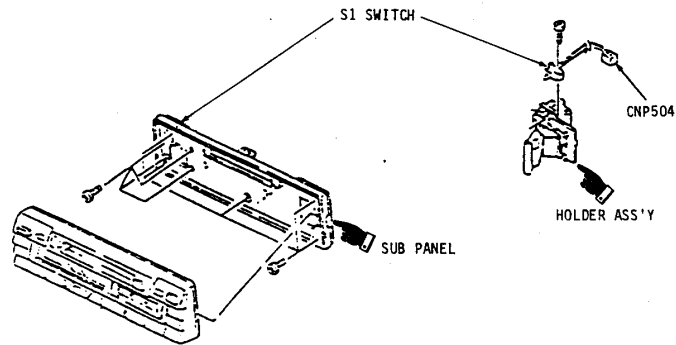
There is no display and the unit does not respond to any of the function buttons.

**Solution:** Replace S1 and the sub panel as shown below.

REF	FORMER		NEW	
	DESCRIPTION	PART NUMBER	DESCRIPTION	PART NUMBER
S1	SWITCH	1-570-771-11	SWITCH	1-570-771-11
2	PANEL (SUB)	3-384-514-01	PANEL (SUB)	3-384-514-04

Applicable serial numbers: 10,001 to 10,900 (replace switch and sub panel)

10,901 to 11,700 (replace switch only)



Reference: Technical News ME-93010  
Autoflagged - NO



PRINTED IN USA  
CSA-14893-5